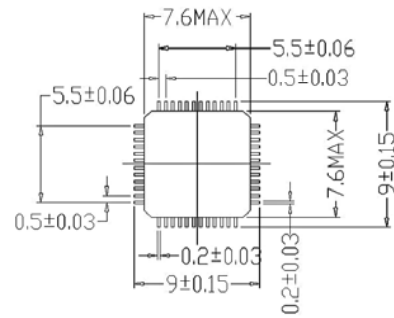
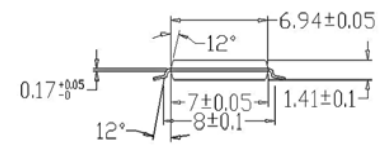
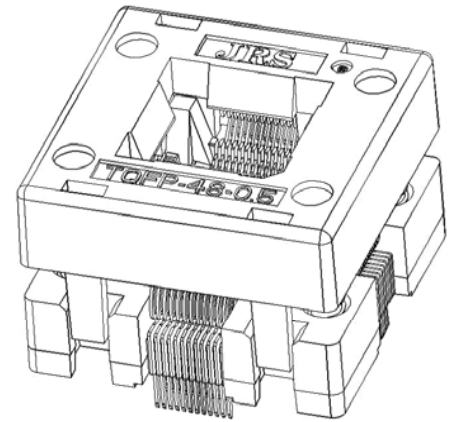
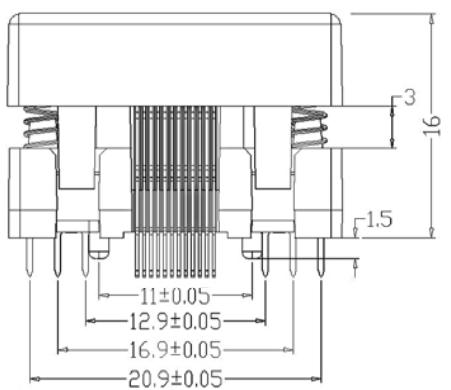
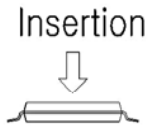


PCB PATTERN (Top View)



APPL ICABLE IC

1. MATERIAL AND FINISH

1. SOCKET LID :PEI
2. SOCKET BASE :PEI
3. CONTACTS :BeCu,SELECTIVE Au-AuFLASH OVER NI PLATING
4. SPRINGS :STAINLESS STEEL ,PASSIVATED

2. PERFORMANCE

1. Insulation Resistance : 1000Mohm, Min.AT DC 500V
2. Dielectric Withstanding Voltage For 1 minute AT AC 700V
3. Contact Resistance 30mohm, MAX. at 10mA and 20mV MAX.(Initial)
4. Operation Temperature -65°C~+150°C
5. Contact Force 18g Per Pin (Normal)
6. Life Span 10,000 Times (Mechanical)
7. Operation Force 0.9 Kg MAX

△ C				DWG NO		PART NAME	TQFP-48-0.5
△ B				MATERIAL	SCALE	TITLE	TQFP-48-0.5
△ A				QTY	UNIT		
REV	DESCRIPTION	DATE	CHECK	SHEET	1 OF 1	REV	01
APPLICATION				APPROVE	DATE		
ANGLES	FINISH	ROUGH	ME	0.X:±0.1	CHECK	DATE	
ALL UNSPECIFIED CHAMFERS:0.2				TRIC	0.XX:±0.05	DATE	20141008

