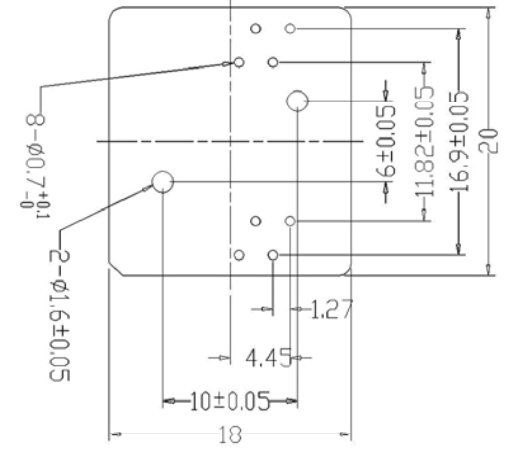
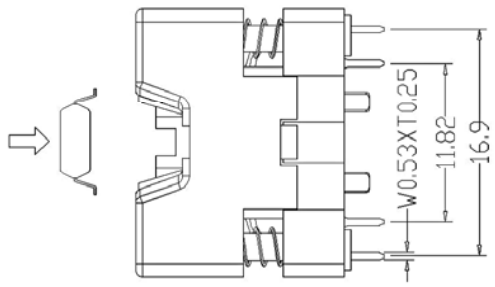
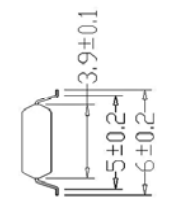
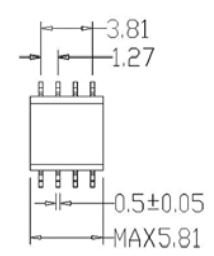
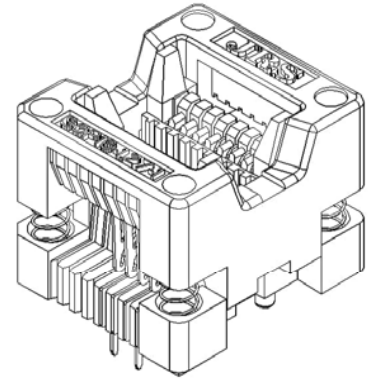
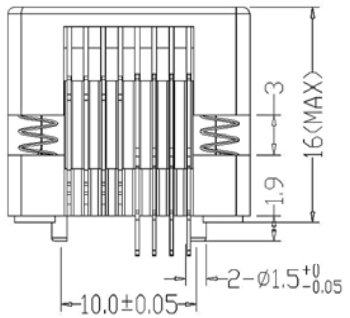


Insertion



PCB PATTERN (Top View)



APPLICABLE IC

1. MATERIAL AND FINISH

- 1. SOCKET LID :PEI
- 2. SOCKET BASE :PEI
- 3. CONTACTS :BeCu,SELECTIVE Au-AuFLASH OVER NI PLATING
- 4. SPRINGS :STAINLESS STEEL ,PASSIVATED

2. PERFORMANCE

- 1. Insulation Resistance : 1000MΩ Min.AT DC 500V
- 2. Dielectric Withstanding Voltage For 1 minute AT AC 700V
- 3. Contact Resistance 30mΩ MAX. at 10mA and 20mV MAX.(Initial)
- 4. Operation Temperature -65°C~+150°C
- 5. Contact Force 50g Per Pin (Normal)
- 6. Life Span 10,000 Times (Mechanical)
- 7. Operation Force 1.1 Kg MAX

△ C				DWG NO		PART NAME	SOP-8(16)-1.27-01	
△ B				MATERIAL	SCALE	1:1	TITLE	SOP-8(16)-1.27-01
△ A				QTY	UNIT	mm		
REV	DESCRIPTION	DATE	CHECK	SHEET	1 OF 1	REV	01	
APPLICATION				APPROVE	DATE			
ANGLES	FINISH	ROUGH	ME	0.X:±0.1	CHECK	DATE		
ALL UNSPECIFIED CHAMFERS:00.2				TRIC	0.XX:±0.05	DEGK	DATE	20140709

JRS